

LG Energy Storage System

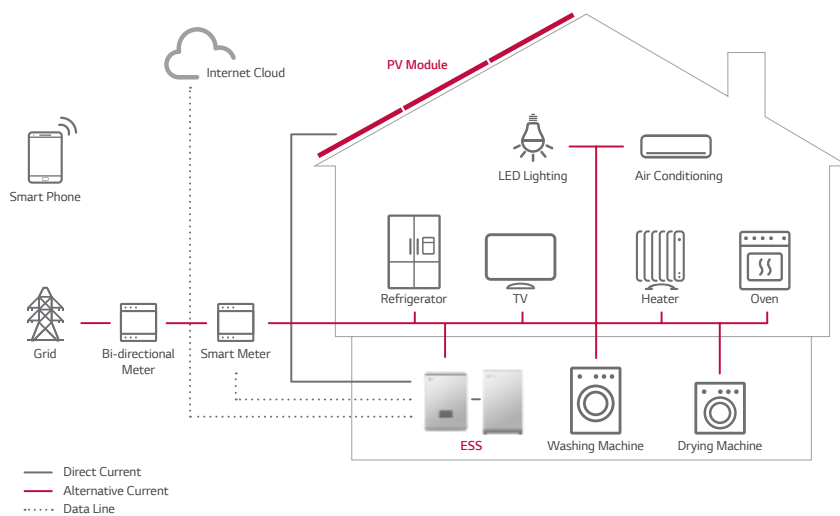
ED05K000E00 | ED00064CN00
PCS Battery

10 yrs
Warranty

if
DESIGN
AWARD
2016

LG Electronics introduces DC-coupled energy storage system to improve PV self-consumption rate.

LG Electronics provides energy storage system to improve self-consumption rate of photovoltaic systems. LG's DC-coupled ESS converts power more efficiently than AC-coupled ESS. Thus, LG ESS can achieve higher efficiency. Furthermore, LG ESS generates the three-phase AC current producing the balanced grid power. Above all, the user-friendly touch screen helps the easy system set-up. The web monitoring function also allows installers and users to check their system status anytime and anywhere.



About LG Electronics

In 2014, LG Electronics has established ESS business division with the acquisition of LG U+ and started ESS business in earnest, secured to the PCS technology with LG Chem's Battery. LG Electronics has expanded its business into the 'smart home' or 'smart buildings' area linked with LED lighting system and energy management system (EMS), including residential ESS. Also, LG Electronics plans to advance to the ESS project for micro-grid, frequency regulation (FR) and renewable integration.

LG Energy Storage System

ED05K000E00 | ED00064CN00

PCS

Battery

DC Input

Max. Input Voltage	800 V
Min. Input Voltage	210 V
Max. DC Power	6,600W (3,300W per MPPT)
Input Voltage Range MPPT at Rated AC Output Power	210 ~ 680 V
Number of MPPT	2
Number of String per MPPT	1
Max. Input Current per MPPT	12 A

AC Output

Rated Grid Voltage	3-NPE 400 V / 230 V
AC Voltage Range	319 ~ 458 V 184 ~ 264.5 V
Frequency (Frequency Range)	50 Hz (47.5 Hz ~ 51.5 Hz)
Max. Output power	5,000 VA
Rated Output Power	5,000 W
Max. Output Current	8.5 A
Total Harmonic Distortion / Power Factor with Rated Power	< 5% / 0.95
Phases	3

Battery

Battery Type	Lithium Polymer
Max. Charger Power	3.0 kW
Capacity (Gross Capacity)	6.4 kWh
DoD	90 %
Current Capacity	31.5 Ah
Rated Input Voltage	207.2 V

Efficiency (PCS)

Max. Efficiency (PV to Grid)	95.7 %
European Efficiency (PV to Grid)	93.6%

General Data

Dimension (W/H/D, mm)	493 / 670 / 185 (PCS) 408 / 682 / 180 (Battery)
Weight (PCS/Battery)	34kg / 58kg
Operation Temperature	0 °C ~ 40 °C

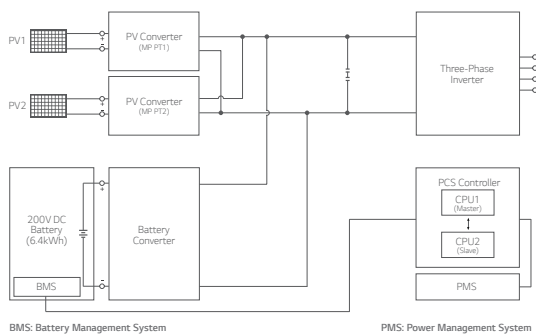
Feature & Function

Noise Emission	40dB
Cooling Type	Forced Convection
Topology	Transformerless
Degree of Protection	IP 21
Max. Permissible Value of Relative Humidity (Non-condensing)	85 % (Climate Class 3K5)
Display	7" Touch LCD
Warranty (PCS)	10 years
Warranty (Battery)	10 years (SOH 80%)
Certification (PCS)	CE / IEC 62109-1 / -2 VDE AR-N 4105 / VDE 0126-1-1
Certification (Battery)	CE / IEC 62133 / IEC 62619 / UN38.3

Smart Meter Compatibility List

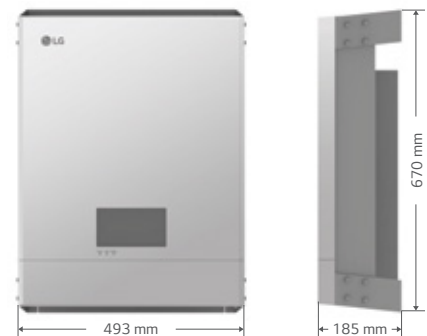
Manufacturer	Model
ABB	B23 212-100
EASTRON	SDM630-MODBUS
CARLO GAVAZZI	EM340

System Block Diagram

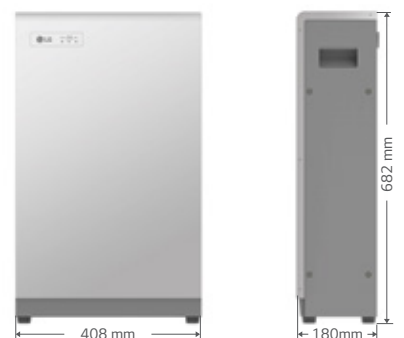


Dimensions

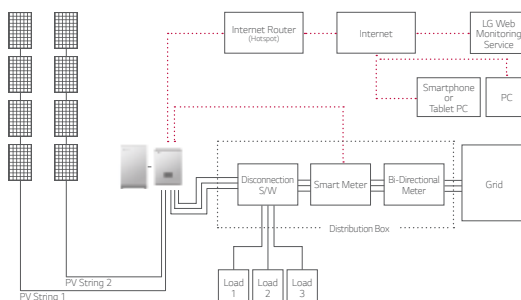
PCS



Battery



Installation



LG Electronics Deutschland GmbH
EU Solar Business Group
Berliner Straße 93
40880 Ratingen, Deutschland
Email: solar@lge.de
www.lg.com/global/business/ess

All details in this data sheet comply with DIN EN 50380.
The specifications are subject to change without prior notice.
Date : 07/2016

Copyright © 2016 LG Electronics. All rights reserved.